

Ultrawash Specs sheet



Project Name: _____ Item no. _____

Model no. _____ Quantity _____

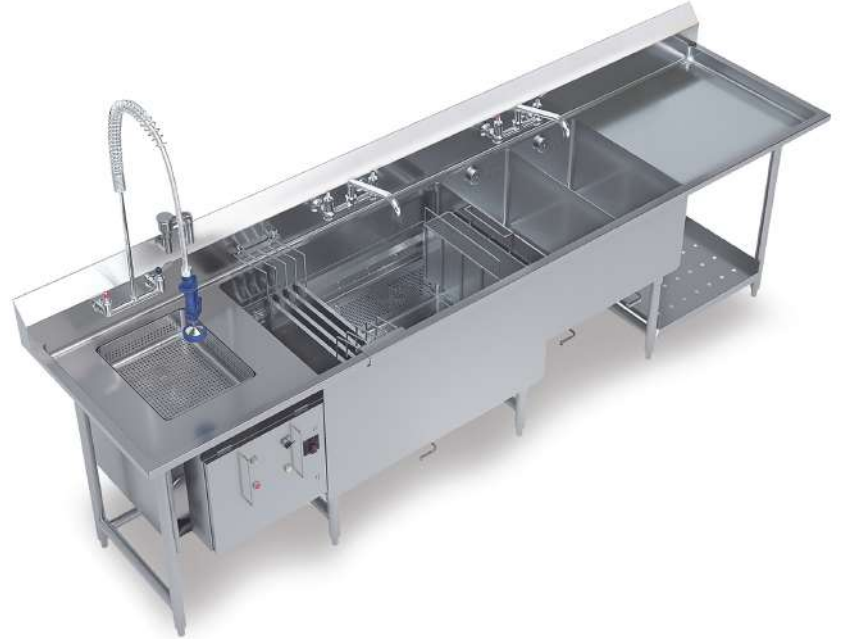
Standard Features

1. Frame & Structure

- System custom configurable as per plans & specifications. (L or U-shaped designs available upon request.)
- 14-gauge stainless steel type 304 with #4 construction for tanks and drain boards.
- 9-1/2" high x 2-1/2" wide backsplash.

2. Sink

- 2 or 3 HP wash pump motor with stainless steel impeller, pump housing and wash manifold.
- Stainless steel wash pump housing fully self-draining without the use of separate drain line.
- Stainless steel wash pump intake to run full length of the rear of the wash tank below wash jets.
- 2kw - 7kw wash tank heater maintains wash tank temperature at 115° +/- 0.5°F
- Inherent motor overload protection.
- Dual liquid high and low water level sensors.
- 1-1/2" Ø drains, pre-rinse sprayer and faucets included.
- Autofill (3/4"Ø hot water connection.)
- Sink front trim panel.
- Utensil basket.



3. Understructure

- 1-5/8" Ø stainless steel tubular support legs and cross braces, fully welded.
- Stainless steel bullet feet.

4. Controls

24V low voltage control circuit to include the following:

- Disconnect breaker on control panel.
- Auto wash tank water temperature control.
- Timed wash cycle and wash tank heat.
- 4-hour wash timer with reset.
- Auto shut-off protection for higher water, heater temperature, and low water level.

5. Options

- 480/60Hz/3 Phase electrical connection.
- Table mounted over and undershelf.
- Sheet pan racking system.

6. Installation Requirements

- Single point 208-240V/60Hz/3Phase electrical connection (pre-wired by factory).
- 3/4" Ø Hot and cold water connections.
- 1-1/2" Ø Drain connections.

7. Warranty

1-year parts and labor warranty.





Wash Jets

The wash jets are strategically located in the back of the sink 6" apart to provide maximum water flow to remove the heavy soil and grease off the pots and pans.

Pump Motor

Powered by an energy efficient pump motor, with stainless steel impeller and self draining. Creating a powerful whirling effect to meet your most demanding applications.

Heater

Custom designed reliable heating element to maintain the water at correct operating temperature, giving you consistent and optimum results.

Construction

Superior quality heavy duty construction. Ultrawash table-top and sinks are fabricated with heavy duty 14 GA stainless steel. All sinks are fully welded with 3/4" radius corners. Understructure is 1-5/8" Ø stainless steel tubular support legs & cross braces, fully welded.

Control Panel

Utilizing the latest technological components for programable wash features. Putting the controls in your hands – wash run times, can be adjusted in the field to suit your specific kitchen's needs.

Understructure

1-5/8" Ø stainless steel tubular support legs with options of bullet or flanged feet
Construction

Configurator Sheet



Project Name: _____

City _____

Unit OverAll Length _____

State _____

Length of Largest Piece _____

Power

- 208V/30/60Hz, 20Amps
- 480V/30/60Hz, 15 Amps

DISHWASHER CONNECTION

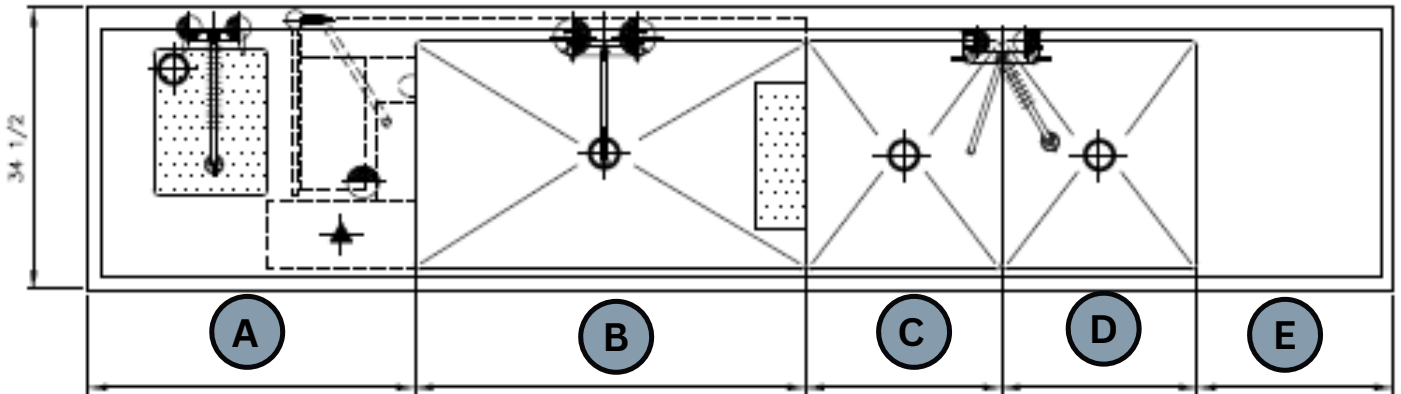
- DOOR-TYPE
- RACK CONVEYOR

Add-ons

- OVER SHELF
- UNDER SHELF
- FLANGED FEET
- SHEET PAN RACKS

DIRECTION

- L-R
- R-L



Pick your Dimensions

A SOILED END DRAIN BOARD

- 12" 14" 16"
- 18" 20" 22"
- 24" 30" 36"

OPTIONS:

- PRE-RINSE W/FAUCET
- PRE-RINSE FAUCET

- SCRAP SINK DISH RACK
SCRAP SINK

DISPOSER:

MAKE: _____ MODEL: _____

WASTE COLELCTOR:

MAKE: _____ MODEL: _____

B WASH SINK (WASH TANK SINK DEPTH IS 22")

CHOOSE SHEET PAN CAPACITY

- 30" 4 8
- 36" 4 8 12
- 42" 4 8 12 16
- 48" 4 8 12 16
- 54" 4 8 12 16 20
- 60" 4 8 12 16 20 24
- 66" 4 8 12 16 20 24 28
- 72" 4 8 12 16 20 24 28

C RINSE SINK

- 15" 24" 18"
- 20" 30" 36"

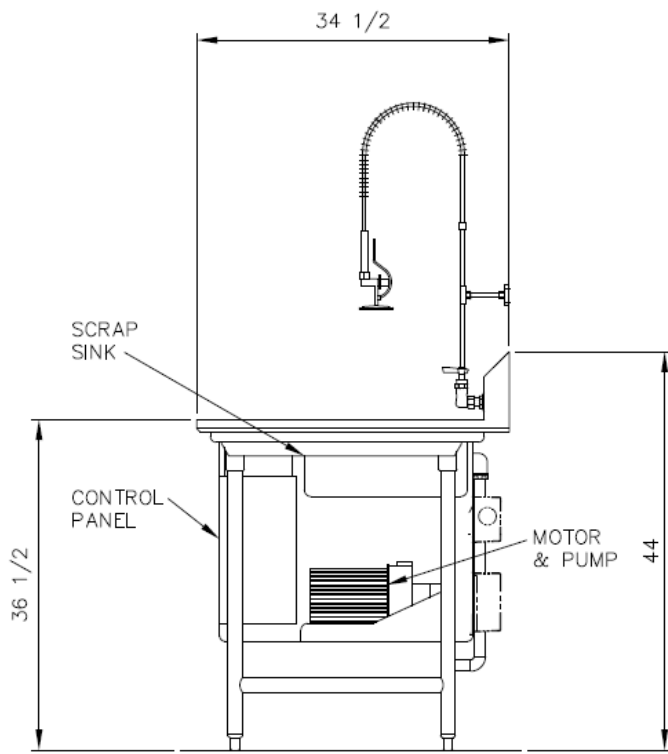
D SANITIZE SINK

- 15" 24" 18"
- 20" 30" 36"
- HATCO HEATER

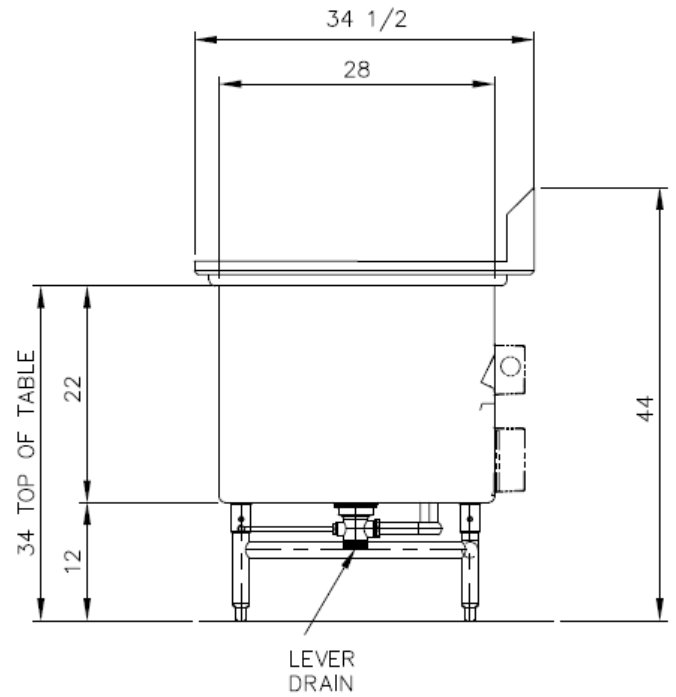
E CLEAN END DRAIN BOARD

- 12" 36"
- 18" 42"
- 20" 48"
- 24" 54"
- 30" 60"

Construction Details & Dimensions

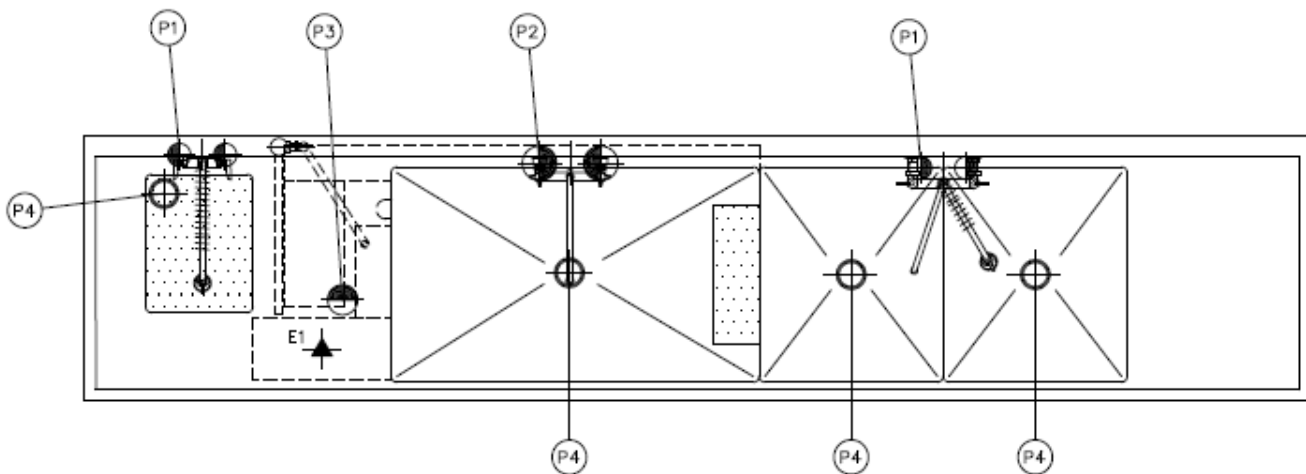


Side View



Side View

Mechanical & Electric Utility Connections



PLUMBING & ELECTRICAL CONNECTIONS

P1	1/2" DIA. HOT & COLD WATER SUPPLY
P2	3/4" DIA. HOT & COLD WATER SUPPLY
P3	3/4" DIA. W/ AUTOFILL HOT WATER LINE
P4	1 1/2" DIA. DRAIN
E1	ULTRAWASH ELECTRIC POWER