



UW-N STANDARD FEATURES

Project Name: _____ Item # _____

Model # UW-N Quantity # _____

1. Frame & Structure

- System custom configurable as per plans & specifications. (L or U-shaped designs available upon request.)
- 14-gauge stainless steel type 304 with #4 construction for tanks and drain boards.
- Pre-configured lengths from 96" to 120" in 6" increments, 34" front to back depth.
- 9-1/2" high x 2-1/2" wide backsplash.

2. Sink

- 2 or 3 HP wash pump motor with stainless steel impeller, pump housing and wash manifold.
- Stainless steel wash pump housing fully self-draining without the use of separate drain line.
- Stainless steel wash pump intake to run full length of the rear of the wash tank below wash jets.
- 2kw - 7kw wash tank heater maintains wash tank temperature at 115° +/- 0.5°F
- Inherent motor overload protection.
- Dual liquid high and low water level sensors.
- 1-1/2" Ø drains, pre-rinse sprayer and faucets included.
- Sink front trim panel.

3. Understructure

- 1-5/8" Ø stainless steel tubular support legs and cross braces, fully welded.
- Stainless steel bullet feet.

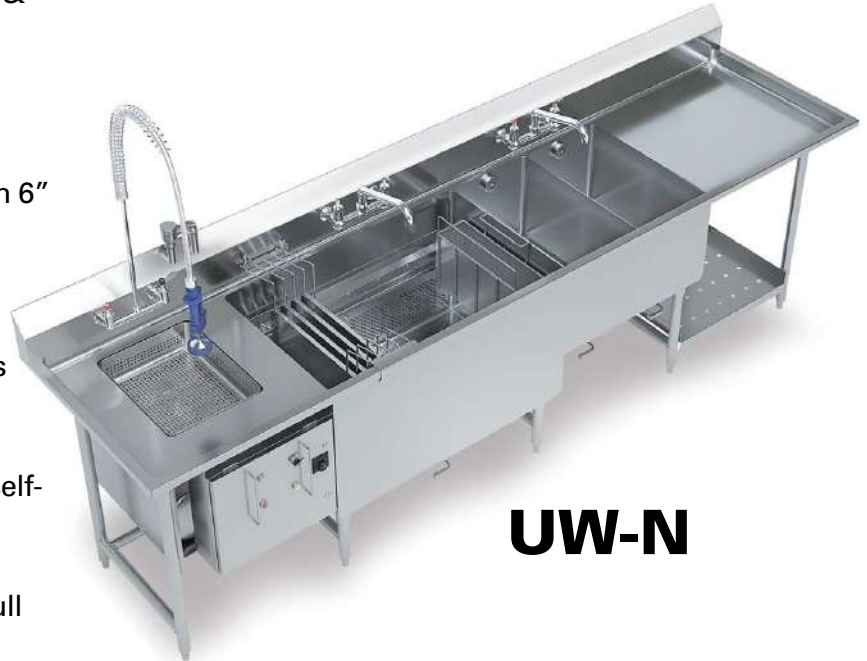
4. Controls

24V low voltage control circuit to include the following:

- Disconnect breaker on control panel.
- Auto wash tank water temperature control.
- Timed wash cycle and wash tank heat.
- 4-hour wash timer with reset.
- Auto shut-off protection for higher water, heater temperature, and low water level.

5. Warranty

- 1-year parts and labor warranty.



UW-N

Options

- 480/60Hz/3 Phase electrical connection.
- Autofill (3/4" Ø hot water connection.)
- Table mounted over and undershelf.
- Sheet pan racking system.
- Utensil basket.

Installation Requirements

- Single point 208-240V/60Hz/3Phase electrical connection (pre-wired by factory).
- 3/4" Ø Hot and cold water connections.
- 1-1/2" Ø Drain connections.





SALIENT FEATURES

Heater

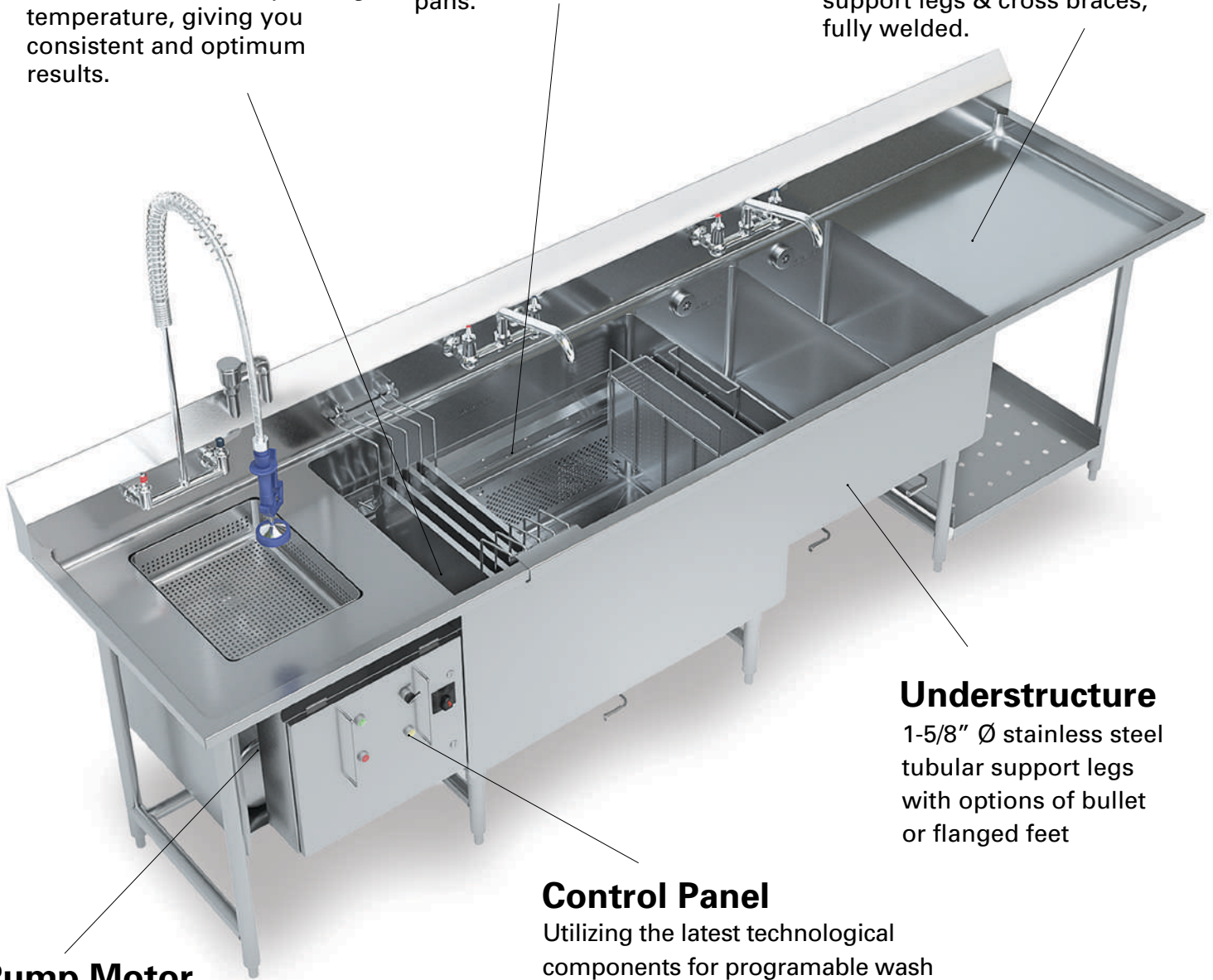
Custom designed reliable heating element to maintain the water at correct operating temperature, giving you consistent and optimum results.

Wash Jets

The wash jets are strategically located in the back of the sink 6" apart to provide maximum water flow to remove the heavy soil and grease off the pots and pans.

Construction

Superior quality heavy duty construction. Ultrawash table-top and sinks are fabricated with heavy duty 14 GA stainless steel. All sinks are fully welded with 3/4" radius corners. Understructure is 1-5/8" Ø stainless steel tubular support legs & cross braces, fully welded.



Understructure

1-5/8" Ø stainless steel tubular support legs with options of bullet or flanged feet

Control Panel

Utilizing the latest technological components for programable wash features. Putting the controls in your hands – wash run times, can be adjusted in the field to suit your specific kitchens needs.

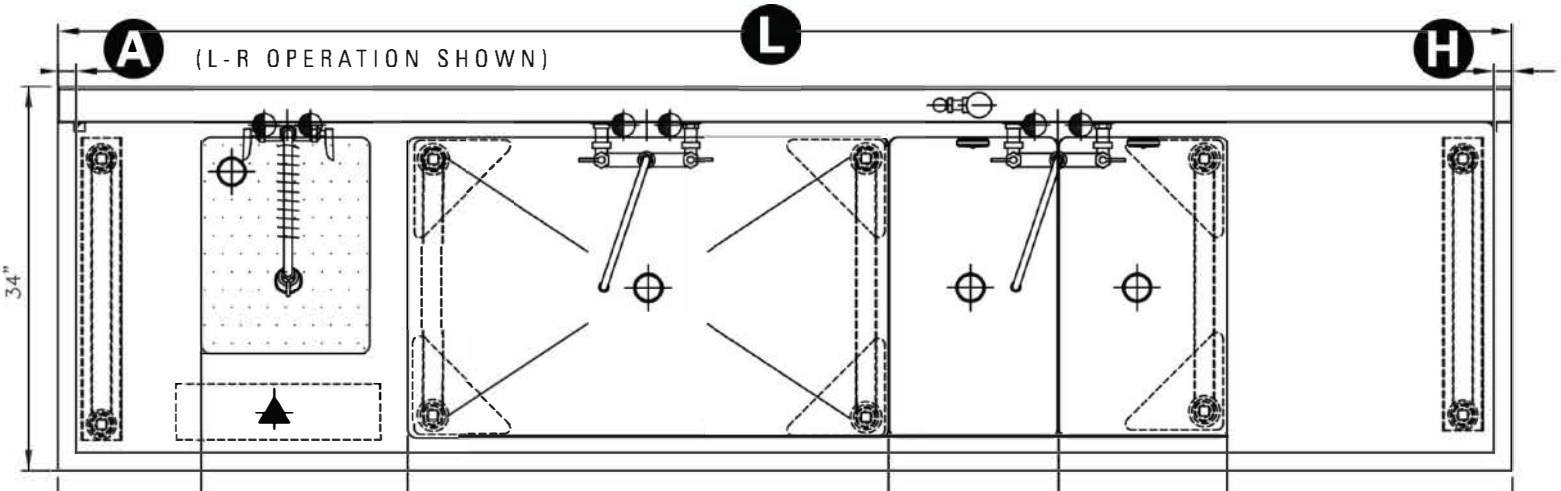
Pump Motor

Powered by an energy efficient pump motor, with stainless steel impeller and self draining. Creating a powerful whirling effect to meet your most demanding applications.

CONSTRUCTION DETAILS & DIMENSIONS



PROJECT NAME: _____ **CITY:** _____ **STATE:** _____
DIRECTION: L-R R-L **OVERALL LENGTH:** _____ OVERSHELF
LENGTH OF LARGEST PIECE: _____ NO HEATING ELEMENT
POWER: 208V/3Ø/60Hz, 20Amps 480V/3Ø/60Hz, 15 Amps FLANGED FEET



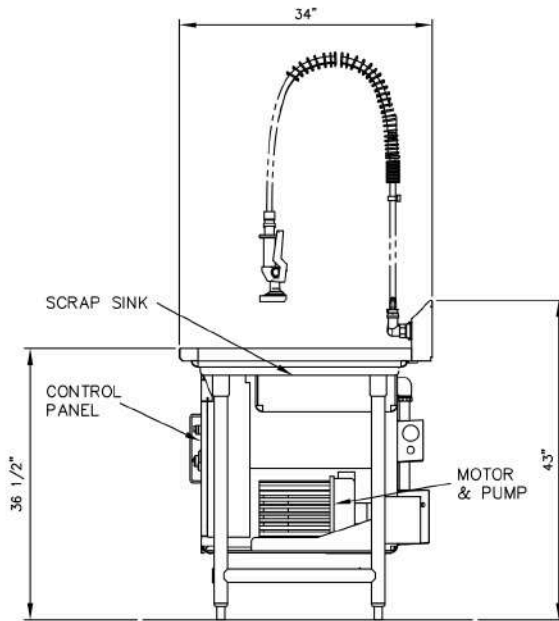
A SOILED END EDGE 2-1/2" SPLASH EDGE 1-1/2" ROLLED EDGE **DISHWASHER CONNECTION:**
 2" BOXED EDGE 1/8" HEMMED EDGE DOOR-TYPE RACK CONVEYORS

B SOILED END DRAIN BOARD	C WASH SINK (WASH TANK SINK DEPTH IS 22")	D RINSE SINK (STANDARD DEPTH IS 18")	E SANITIZE SINK (STANDARD DEPTH IS 18")	F CLEAN END DRAIN BOARD
<p>SIZE:</p> <p><input type="checkbox"/> 12" <input type="checkbox"/> 22" <input type="checkbox"/> 14" <input type="checkbox"/> 24" <input type="checkbox"/> 16" <input type="checkbox"/> 30" <input type="checkbox"/> 18" <input type="checkbox"/> 36" <input type="checkbox"/> 20" CUSTOM</p> <p>OPTIONS:</p> <p><input type="checkbox"/> PRE-RINSE <input type="checkbox"/> FAUCET <input type="checkbox"/> PRE-RINSE W/FAUCET <input type="checkbox"/> SCRAP SINK <input type="checkbox"/> DISH RACK SCRAP</p> <p><input type="checkbox"/> DISPOSER: MAKE _____ MODEL _____</p> <p><input type="checkbox"/> WASTE COLLECTOR: MAKE _____ MODEL _____</p>	<p>LENGTH:</p> <p>CHOOSE SHEET PAN CAPACITY:</p> <p><input type="checkbox"/> 30" <input type="checkbox"/> 4 <input type="checkbox"/> 8 <input type="checkbox"/> 36" <input type="checkbox"/> 4 <input type="checkbox"/> 8 <input type="checkbox"/> 12 <input type="checkbox"/> 42" <input type="checkbox"/> 4 <input type="checkbox"/> 8 <input type="checkbox"/> 12 <input type="checkbox"/> 16 <input type="checkbox"/> 48" <input type="checkbox"/> 4 <input type="checkbox"/> 8 <input type="checkbox"/> 12 <input type="checkbox"/> 16 <input type="checkbox"/> 54" <input type="checkbox"/> 4 <input type="checkbox"/> 8 <input type="checkbox"/> 12 <input type="checkbox"/> 16 <input type="checkbox"/> 20 <input type="checkbox"/> 60" <input type="checkbox"/> 4 <input type="checkbox"/> 8 <input type="checkbox"/> 12 <input type="checkbox"/> 16 <input type="checkbox"/> 20 <input type="checkbox"/> 24 <input type="checkbox"/> 66" <input type="checkbox"/> 4 <input type="checkbox"/> 8 <input type="checkbox"/> 12 <input type="checkbox"/> 16 <input type="checkbox"/> 20 <input type="checkbox"/> 24 <input type="checkbox"/> 28 <input type="checkbox"/> 72" <input type="checkbox"/> 4 <input type="checkbox"/> 8 <input type="checkbox"/> 12 <input type="checkbox"/> 16 <input type="checkbox"/> 20 <input type="checkbox"/> 24 <input type="checkbox"/> 28</p> <p>CUSTOM <small>SHEET PAN CAPACITY</small></p> <p>_____</p> <p><input type="checkbox"/> AUTO FILL</p>	<p>LENGTH:</p> <p><input type="checkbox"/> 12" <input type="checkbox"/> 14" <input type="checkbox"/> 16" <input type="checkbox"/> 18" <input type="checkbox"/> 20" <input type="checkbox"/> 22" <input type="checkbox"/> 24" <input type="checkbox"/> 30" <input type="checkbox"/> 36" CUSTOM</p> <p>_____</p>	<p>LENGTH:</p> <p><input type="checkbox"/> 12" <input type="checkbox"/> 14" <input type="checkbox"/> 16" <input type="checkbox"/> 18" <input type="checkbox"/> 20" <input type="checkbox"/> 22" <input type="checkbox"/> 24" <input type="checkbox"/> 30" <input type="checkbox"/> 36" CUSTOM</p> <p>_____</p> <p>HATCO HEATER</p> <p><input type="checkbox"/> YES <input type="checkbox"/> NO</p>	<p><input type="checkbox"/> OMIT</p> <p><input type="checkbox"/> 12" <input type="checkbox"/> 18" <input type="checkbox"/> 20" <input type="checkbox"/> 24" <input type="checkbox"/> 30" <input type="checkbox"/> 36" <input type="checkbox"/> 42" <input type="checkbox"/> 48" <input type="checkbox"/> 54" <input type="checkbox"/> 60" CUSTOM</p> <p>_____</p> <p>OPTION:</p> <p><input type="checkbox"/> UNDERSHELF</p>

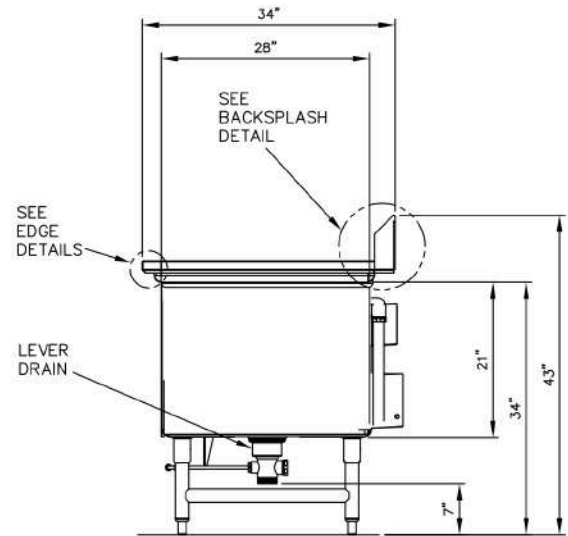
G CLEANED END EDGE 2-1/2" SPLASH EDGE 1-1/2" ROLLED EDGE **DISHWASHER CONNECTION:**
 2" BOXED EDGE 1/8" HEMMED EDGE DOOR-TYPE RACK CONVEYORS

08/2022

CONSTRUCTION DETAILS & DIMENSIONS CONTINUED



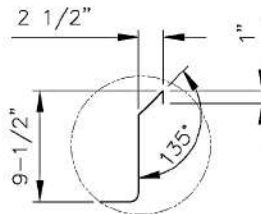
SECTION A-A
SIDE VIEW



SIDE VIEW

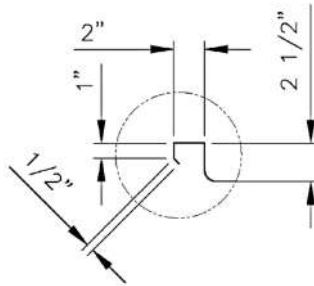
BACKSPLASH DETAIL:

- 2-1/2" SPLASH EDGE

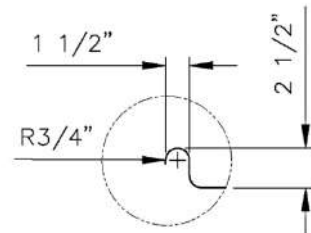


EDGE DETAILS:

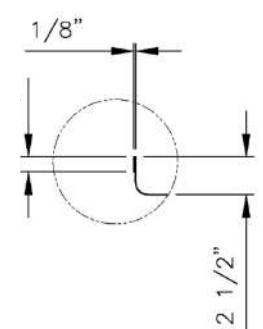
- 2" BOXED EDGE



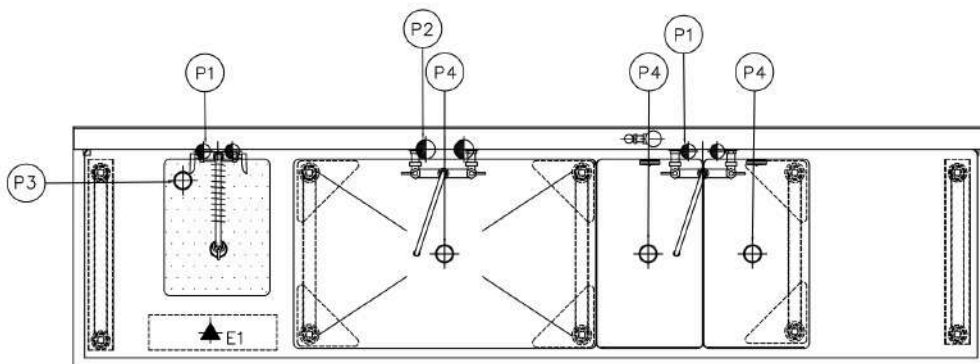
- 1-1/2" ROLLED EDGE



- 1/8" HEMMED EDGE



MECHANICAL & ELECTRIC UTILITY CONNECTIONS



PLUMBING & ELECTRICAL CONNECTIONS:

P1	1/2" DIA. HOT & COLD WATER SUPPLY
P2	3/4" DIA. HOT & COLD WATER SUPPLY
P3	1-1/2" DIA. DRAIN
P4	1-1/2" DIA. LEVER DRAIN
E1	ULTRAWASH ELECTRIC POWER

NOTE: All electrical & plumbing connections must comply with local codes.