



TragenFlex

INSTRUCTION MANUAL FOR MODEL KBC

KNUCKLE BELT CONVEYOR

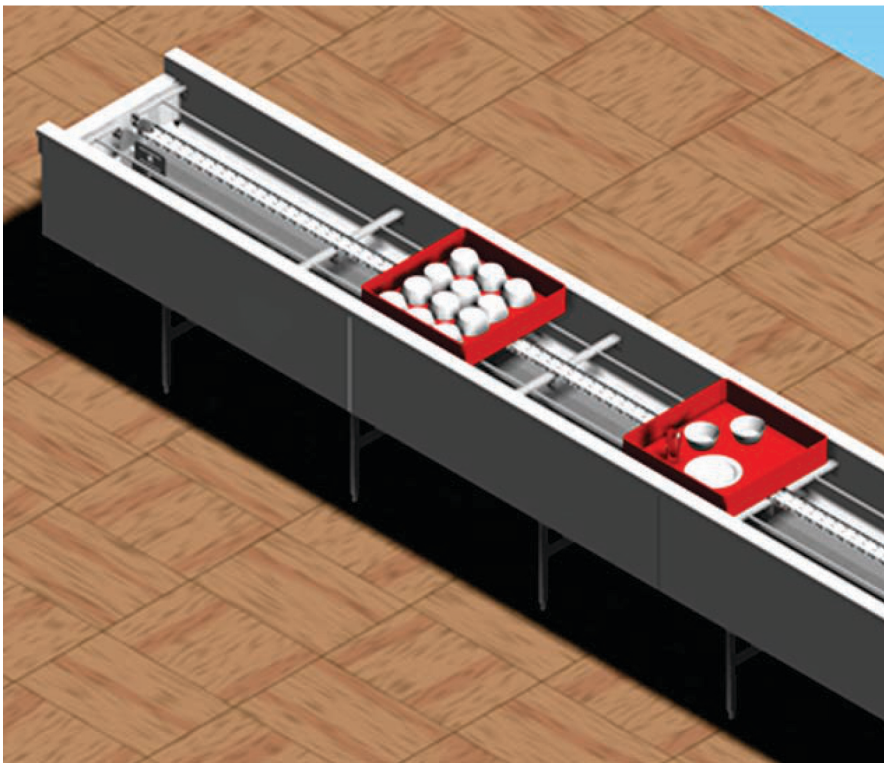
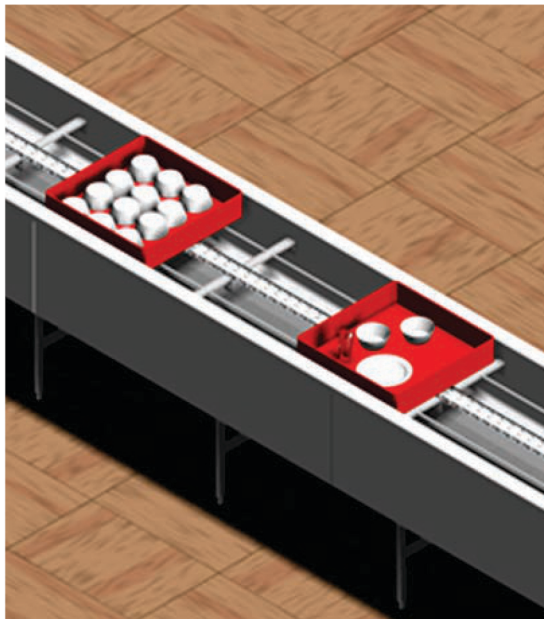


Table of Contents

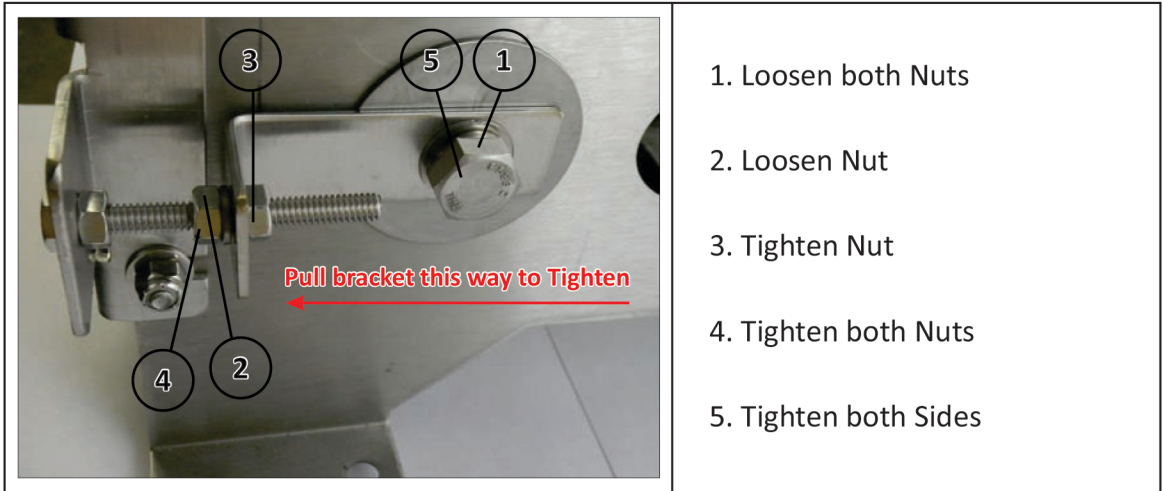
1. GENERAL INFORMATION	3
2. START STOP INSTRUCTION	3
3. PLUMBING	3
4. ELECTRICAL	3
5. TAKE-UP	4
6. STARTING / STOPPING INSTRUCTIONS	4
7. REMOVING THE BELT	4
8. MAINTENANCE	5
9. DAILY CLEAN UP PROCEDURE	5
10. WARRANTY & SERVICE PROCEDURE	5
11. WARRANTY PERIOD	5
12. WARRANTY COVERAGE	5
13. ELECTRICAL MANUAL	6
14. PART LIST	7

1. **General:** Read all the information in this manual carefully, as it contains important instructions regarding the correct, effective and safe use of this product. Keep this manual in a safe place so that it can be referenced when needed. Knuckle Belt Conveyor is typically connected to the load end of dishwasher. It will transport 20" X 20" dishracks from the soiled table and convey them to the dishmachine. The Knuckle Belt Conveyor has its own drive system and requires a power supply.
2. **Start Stop Instruction**
 - a) Turn the MAIN DISCONNECT SWITCH located on the main control panel to the "ON" position.
 - b) Push the green 'START' button for Knuckle Belt Conveyor.
 - c) Before shutting down the conveyor push the red 'STOP' button. Finally turn the 'MAIN DISCONNECT SWITCH' to the 'OFF' position.
3. **Plumbing:** There is one $\frac{1}{2}$ " drain that needs to be connected. All gaps should be silicone sealed where Tite Turn connects to the dishwasher and clean table.
4. **Electrical:** Please refer to the electrical diagram in the control panel before any electrical work is performed. Check the control panel data plate for correct incoming power to be supplied and proceed to connect. Next connect the control cable and diffuser sensor
Please Note: Section 13 has a detailed electrical procedure.



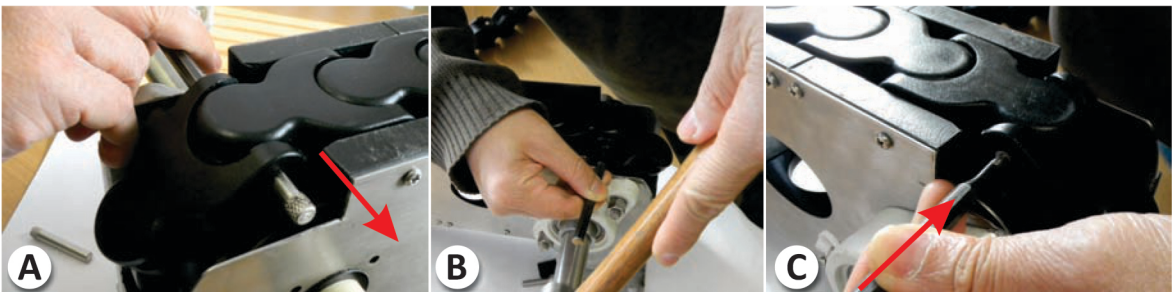
Note: An TragenFlex Knuckle Belt Conveyor can also be connected to the dishwasher's infeed opening and used for transporting baskets of dirty items into the machine.

5. **Take-up:** The Knuckle belt take up should be adjusted regularly. This is done by loosening the lock nuts on the take up. Turn the two bolts to pull the idler drum out to tighten the belt. Then tighten the lock nuts. **Before starting for the first time check the belt tension.**



6. **Starting / Stopping Instructions:** Turn belt main disconnect switch located on the main panel to the on position. Then press the green start button to activate the unit and the red stop button to stop it. This conveyor does not have an adjustable belt speed.
7. **Removing the Belt:** If the conveyor belt jumps out of the track, this can easily be fixed. First loosen the belt take up (Section:5) then with a punch, drive the pin out of the knuckle and this will separate the belt. Now free the belt and feed it back into the guide. You can now drive the pin back into the Knuckle. You must now tighten the belt using the take up and lock it in place.

Note: Pin is knurled on one end, always drive knurled end out first. Keep in mind the direction the knuckle belt is moving, the knurled will be on the left side (Figure A) drive it out from the right side as shown in (Figure C).



- 8. Maintenance:** The flange bearings must be greased using food grade and a grease gun on monthly bases. Finally the gear reducer must have the oil changed annually.
- 9. Daily Clean up procedure:** Before performing the clean up procedure make sure that the conveyor is shut down and that the safety main disconnect switch is engaged with a lock out. Spray down the entire belt, track, trough with high pressure hot soapy water. Once you have sprayed down the unit and ensured that the electrical lockout is engaged you should clear the trough area beneath the belt track system. Along with clearing out all the scrap baskets. If you notice any obstructions int the belt track do not a. empty to dislodge. Contact your authorized service agent. Before restarng ensur e all clothes and cleaning equipment has been removed.
- 10. Warranty & Service Procedure:** For all concerns or problems please contact TragenFlex Inc. Customer Support Staff at **855-363-0335 Ext. 147**
Regular office hours are 8:00 am to 4:30 pm EST. When contacng T ragenFlex for warranty or service please have the conveyors serial number available along with what the problem is and the cause of the problem if known.
- 11. Warranty Period:** TragenFlex Inc. warrants all its products to the original purchaser against defects in material and workmanship. The warrant applies to normal use and regular service for a period of one year a. er date of installaon.
- 12. Warranty Coverage:** TragenFlex Inc. is obligated under this warranty to replace or repair any defects on the equipment. All service performed under this warranty will be provided by an TragenFlex Tech or approved agent during regular business hours. All parts covered under warranty will be shipped to the customer via groud transportaon. An y claims due to conveyor jams as a result of irregular preventav e maintenance, improper use, improper installaon b y others, power surges, or misuse /abuse of equipment will not be covered.

13.. Electrical Manual

About: This manual will cover the TragenFlex t e turn table and will assist the user to integrate it with a Hobart system.

Motor & Specifications

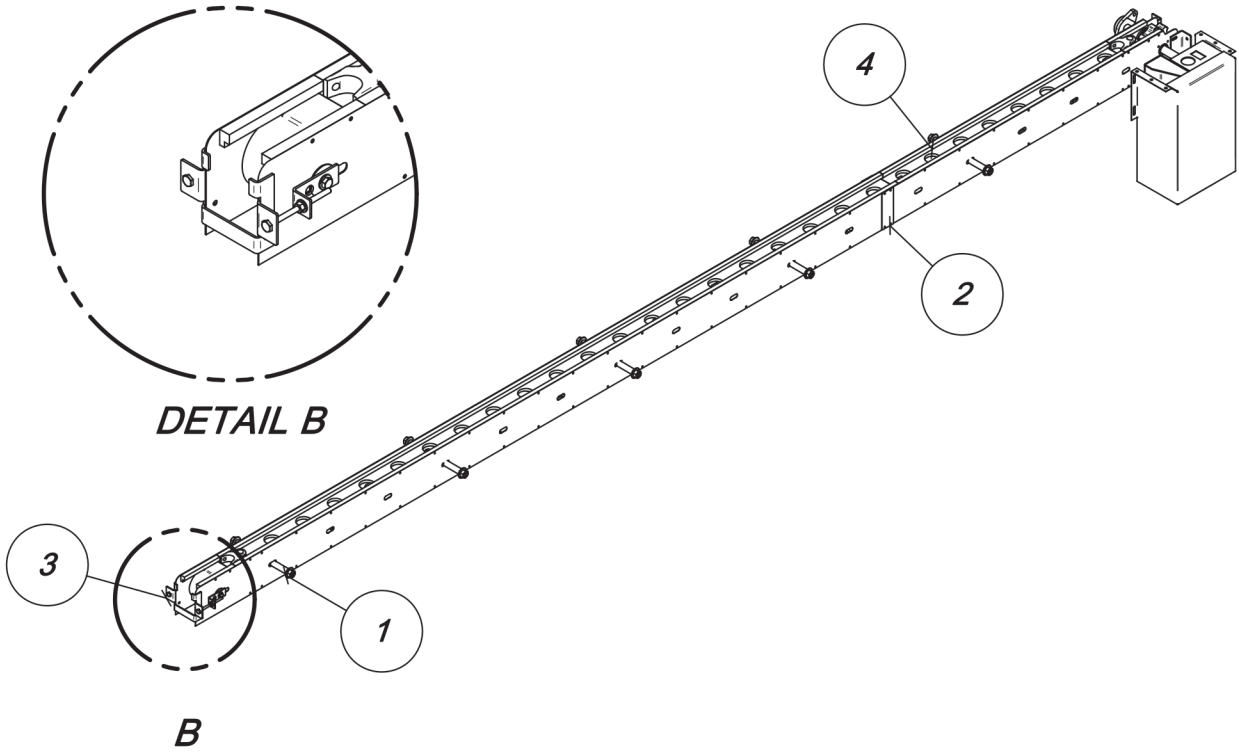
Voltages:	208V
Current:	15A
Phases:	1 ϕ
Fuses:	4A
OL Seng:	1.25A

Supplier:	Kel-tech
Model:	AL1444C
HP:	1/4
RPM:	1700
FLA:	1.12-0.65
COS:	0.70
HZ:	60

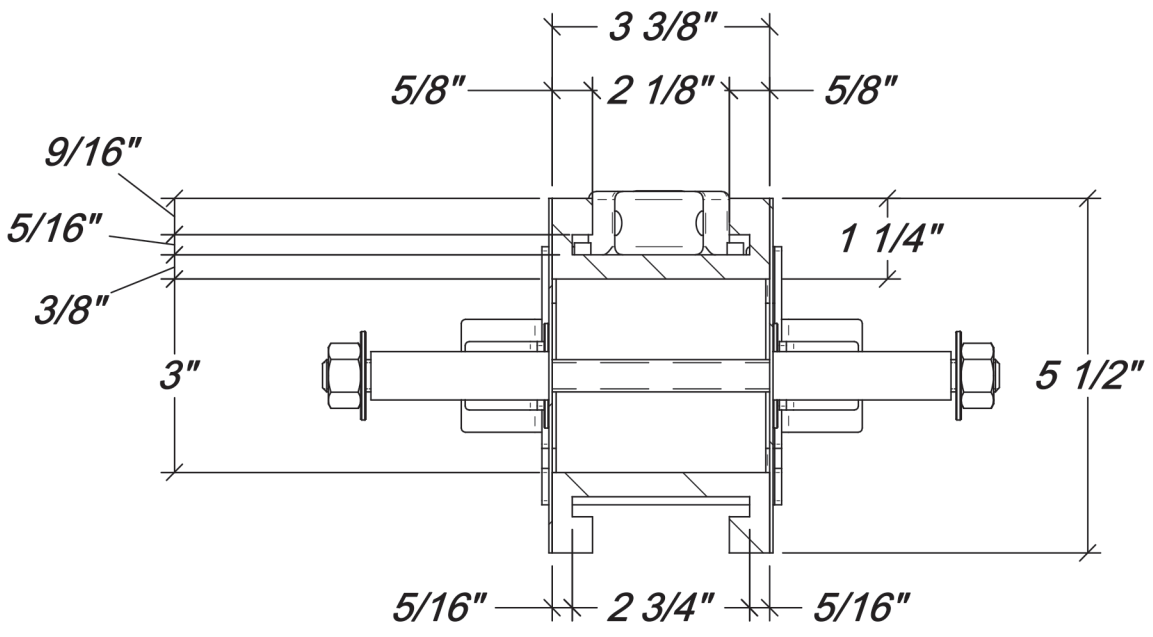
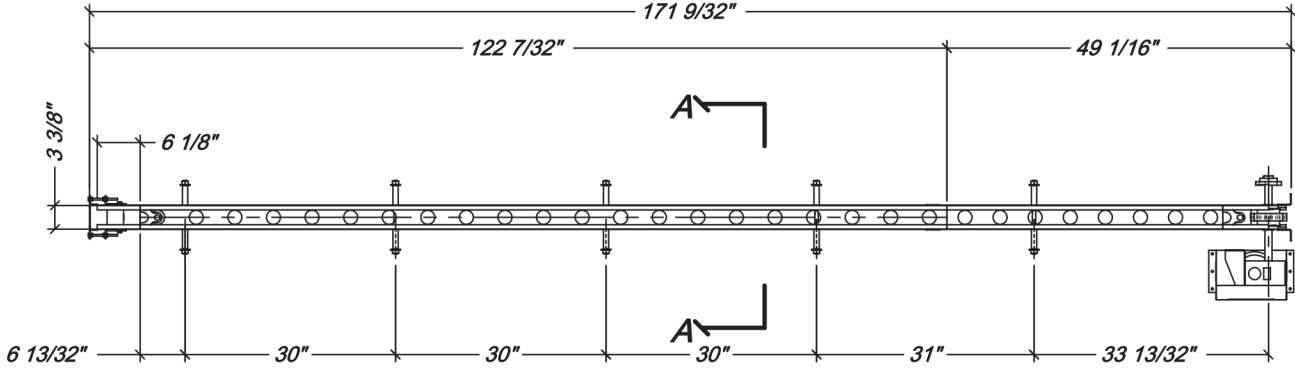
Installation:

As stated in the specificaons this s ystem is designed to be connected to a 208V/ 15A/1 ϕ power supply. On the picture below is an arrow poingng t owards the disconnect where the electrical connecon should be made. As w ell it is important to note that the motor contactor will trip when the motor reaches a current in excess of 1.25A; also it is protected by 4A CC fuses.

14. Part List (Continued)



<i>Item Number</i>	<i>Document Number</i>	<i>Title</i>	<i>Quantity</i>
1	0291140	THREAD ROD W/ SPACER	5
2	0291161	MECHANICAL CONNCT PLATE	2
3	BXXX6100	KNUCKLE BELT-1 (Customized Length)	1
4	BXXX6200	KNUCKLE BELT (Customized Drive End)	1



SECTION A-A