



TragenFlex

INSTRUCTION MANUAL FOR MODEL

GRAVITY ROLLER CONVEYOR



TABLE OF CONTENTS

1. OPERATION	3
1.1. GRAVITY ROLLER, STUB ROLLER AND CLEAN DISH TABLE	3
1.1.1. GENERAL INSTRUCTIONS	3
1.1.2. GENERAL INSTRUCTIONS - CLEAN DISH TABLE	4
2. TROUBLESHOOTING	5
3. MODEL GRC GRAVITY ROLLER CONVEYOR PARTS	6
4. WARRANTY FOR MODEL GRC GRAVITY ROLLER CONVEYOR	9
4.1. WARRANTY PERIOD	9
4.2. WARRANTY COVERAGE	9
4.3. GENERAL	9

INSTRUCTION MANUAL FOR MODEL GRC GRAVITY ROLLER CONVEYOR SYSTEM

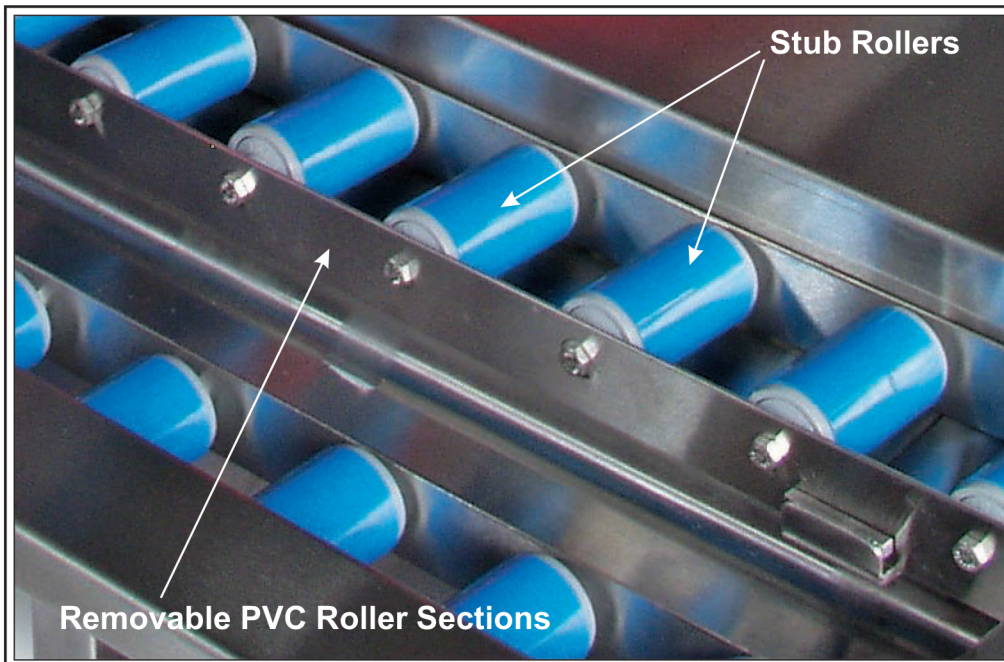
1. OPERATION

1.1. GRAVITY ROLLER, STUB ROLLER AND CLEAN DISH TABLE

Both the Gravity and Stub Roller Conveyor are non-motorized conveyor. The Gravity Roller Conveyor is designed to pass dish racks from the Power Roller Conveyor or the soiled dish table to a dishwasher or serve as a clean dish table to receive clean dish racks coming out from the dish machine. The Stub Roller Conveyor is located at the soiled dish table to handle the soiled trays. The stub rollers are shorter than the gravity rollers. However the construction features of both of these rollers are similar.

1.1.1. GENERAL INSTRUCTIONS

1. The Gravity Roller Conveyor or Stub Roller has no electrical components.



PROPER ORIENTATION OF PVC ROLLER SECTIONS

2. The day-to-day service of this equipment would be to ensure that the roller are clean and run freely.
3. Certain sections of the Gravity Roller and Stub Rollers are removable for cleaning purposes.
4. Please ensure that the stub roller conveyors are correctly on the mounting brackets, provided on the soiled dish table. Since the soiled tray rides upon the stub roller sections, it is necessary to have them correctly aligned. Gravity rollers are constructed either with PVC or stainless steel. B-133 bearings are used for PVC rollers and B-131 bearings are used for stainless steel rollers. Both of these bearings are maintenance free. However worn or damaged rollers must be replaced.

Note: After cleaning the removed PVC roller section, it should be replaced in position with the cororientation. (The stub roller surface should project above the frame of the PVC roller section)

1.1.2. GENERAL INSTRUCTION - CLEAN DISH TABLE

1. Hose down the system on a daily basis.
2. The clean Dish Table having Gravity Roller is equipped with a mechanical limit switch. The dish machine will shutdown when the switch is actuated.
3. The day-to-day service on this equipped is to ensure that the rollers are clean and run freely.
4. After cleaning the removable roller sections make sure that they are replaced in their correct position. Incorrect fitting will impede the performance.
5. The Clean Dish Table is equipped with either stainless steel or PVC rollers. Stainless steel rollers use B-31 bearings where as PVC rollers use B-133 bearings. Both these bearings are maintenance free. However they may require replacement in case of wear and damage.

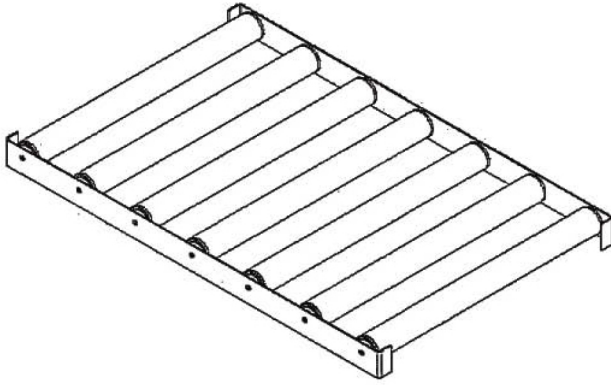
2. TROUBLEHOOTING

PROBLEM MECHANICAL	PROBLEM CAUSE	SOLUTION
Rollers do not turn freely.	The bearings of shaft may be damaged.	Replaced damaged component.
	The roller tube itself may be warped.	Replaced the roller tube.

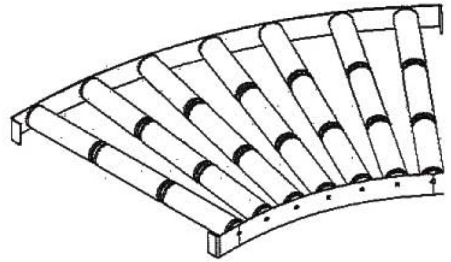
Note: Do not attempt to replace an old roller with a new bearing / shaft or vice versa. The bearings are press fitted into the tubes at TragenFlex, using an appropriate assembly tool. It is very difficult to achieve the desired fit at by manual assembly.

PROBLEM MECHANICAL	PROBLEM CAUSE	SOLUTION
Dish machine does not stop when dish racks reach the end conveyor.	Accumulation flap is not making contact with accumulation switch.	Manually check to make sure that the accumulation flap is making contact with the accumulation switch.
	Faulty accumulation switch.	Check the connection of accumulation switch pf the dish machine

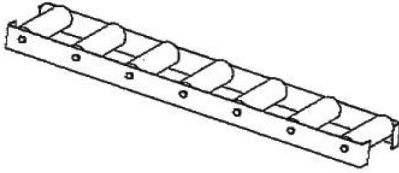
3. MODEL GRC - GRAVITY ROLLER CONVEYOR PARTS



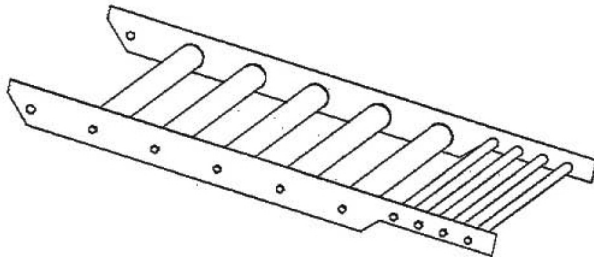
Gravity Rollers at Straight Section



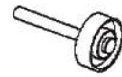
Gravity Rollers at Curved Sect



Stub Rollers Section



Gravity Rollers at Lift Gate



Side Mounted Roller

GRC GRAVITY ROLLER CONVEYOR PARTS LIST

Item #	Parts #	Description	Unit
GRC 1	8102059	Bearings B-2. 193 white skate wheel assembly	
GRC 1A	8102060	Bearings B-2. 193 gray skate wheel assembly	
GRC 2B	8102056	Bearings B-101 (used on ¾" dia. s/s rollers	
GRC 3	8102057	Bearings B-107 (for 1-1/8" dia. Aluminum & / or grey PVC tubing)	
GRC 4	8102058	Bearings B-109 (used on 1-1/4" dia. PVC rollers)	
GRC 5	8102054	Bearings B-131 (used on 1.9" S/S tubing)	
GRC 6	8102055	Bearings B-133 (used on 1.9" Blue PVC tubing)	
GRC 7		Bearings ¾" Stainless Steel tubing (minimum order of 5 feet)*	
GRC 8	8401890	1-1/8" Aluminum tubing (minimum order of 5 feet)*	
GRC 9	8401881	1-1/8" Grey PVC tubing (minimum order of 5 feet)*	
GRC 10		1.9" Stainless Steel tubing (minimum order of 5 feet)*	
GRC 11		1.9" Blue PVC tubing (minimum order of 5 feet)*	
GRC 12		12 skate wheel shaft	
GRC 13	0095411	¼" Round stainless steel shaft (used with GRC 16)	
GRC 14	009515	7/16" Hex aluminum shaft (for stub roller section)*	
GRC 14A		7/16" Hex aluminum Shaft (for gravity roller section)*	
GRC 15		7/16" Hex stainless steel shaft	
GRC 16	0131302	¾" Stainless Steel roller w/bearing B-101	
GRC 17	8102057	1-1/8" Aluminum Roller w/bearings B-107	
GRC 18	8102062	1-1/8" Grey PVC roller w/bearings B-107 1" -14" length	
GRC 19		1.9" Blue PVC Roller w/bearing B-133 for gravity roller section	
GRC 20		1.9" Blue PVC Roller w/bearing B-133 (for curved section)	
GRC 21	0095150	1.9" Blue PVC stub roller section (for stub roller section)	
GRC 21A	0095152	1.9" Stainless Steel stub roller w/bearing B-131 (for stub roller section)*	
GRC 22		1.9" Blue PVC roller w/ bearing B-133 (for lift gate)	
GRC 23	8300222	Hex bolt s/s 5/16" 18 x ¾"	

***Note:** All roller and shafts are cut to order. Please verify the length ordering.

WARRANTY SERVICE & PARTS POLICY FOR MODEL GRC GRAVITY ROLLER

CONVEYOR WARRANTY PERIOD

TragenFlex warrants its products to the original purchaser against any defects in material and workmanship, under normal use and service for a period of one year after the date of installation by TragenFlex personnel or an TragenFlex authorized agent.

WARRANTY COVERAGE

It is important to follow the proper operation and maintenance procedures outlined in this service manual, so that the new TragenFlex System will provide you years of trouble free operation. Failure to follow proper operating and maintenance procedures will void the warranty of your equipment. Please review this complete manual for operation, clean-up and maintenance procedures. The obligation of TragenFlex under this warranty is to repair or replace any defects in the equipment. All the services covered under the warranty will be provided by TragenFlex during the regular working hours. All claims against this warranty must be made in writing to TragenFlex. Equipment must be serviced either by technicians of TragenFlex or agents authorized by TragenFlex. All warranty parts will be shipped to the client via regular ground transportation.

The following are not covered under this warranty:

Normal Wear on Parts: Over time of operation certain parts including sprockets, chain, shafts, bushings and wear guides will wear. This is normal; replacement of these parts will not be covered under warranty. It is important that you do not operate your system with broken or damaged parts. If you notice extreme wear please contact TragenFlex Customer Service.

HOW TO HANDLE A WARRANTY CALL

1. Please contact TragenFlex Customer Support Staff at **855-363-0335** ext. 1 or via email: drawings@tragenflex.com for all concerns regarding TragenFlex equipment. Hours of operation are 8:00am 5:00pm EST.
2. Do not contact Hobart Service. Hobart Service is our authorized service agent and will only perform warranty service with a valid purchase order and authorization from TragenFlex. Contacting us will speed up the process of your warranty concern to minimize your downtime. If you require after hours emergency service please call Hobart Service.

Note: TragenFlex will cover the cost of the service call, overtime charges will be the customer's responsibility. This claim must be submitted to TragenFlex Customer Care immediately for validation.

GENERAL

Liability or obligation in connection with the products of TragenFlex other than those covered in this warranty by any other person's assumption is not authorized by TragenFlex. This warranty is limited to the United States and Canada.



TragenFlex